

Cornelia

Technical Description

thick stitch: Available as an option

structure: Synchronized and orthopedic metal bed mechanism. Bed area made with beech wood slats 6,3"wide. Reinforced elastic webbing on the seating area.

mattress h 6,3": Waterlily viscoelastic high density and high resilience foam, covered with a special polyester fiber fire retardant.

External quilted layer made in cotton fabric. The Mattress is 100% recyclable, antibacterial, breathable.

back suspension: Reinforced elastic webbing

seat cushions: High density ecologic open-cell polyurethane foam and memory foam, covered with a layer of dacron wadding

back cushions: High density ecologic open-cell polyurethane foam, covered with a layer of dacron wadding

removability: Seat and Back cushion removability is not available for the sofa bed version.

Removability is only available on version without bed

foot option 1: Stainless Steel Finish

foot option 2: Stainless Steel Bronze Finish

foot option 3: Stainless Steel Champagne Finish

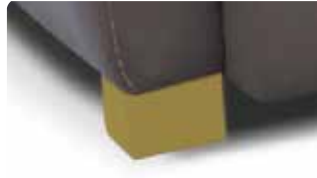
Foot Finishing Option



Foot Option 1:
Stainless Steel Finish



Foot Option 2:
Stainless Steel Bronze Finish



Foot Option 3:
Stainless Steel Champagne
Finish

**Thin stitch
standard**

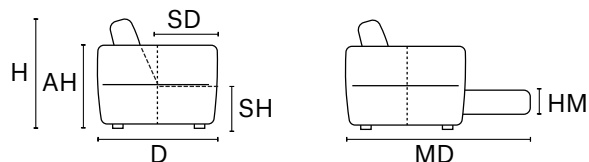


**Thick stitch
option**



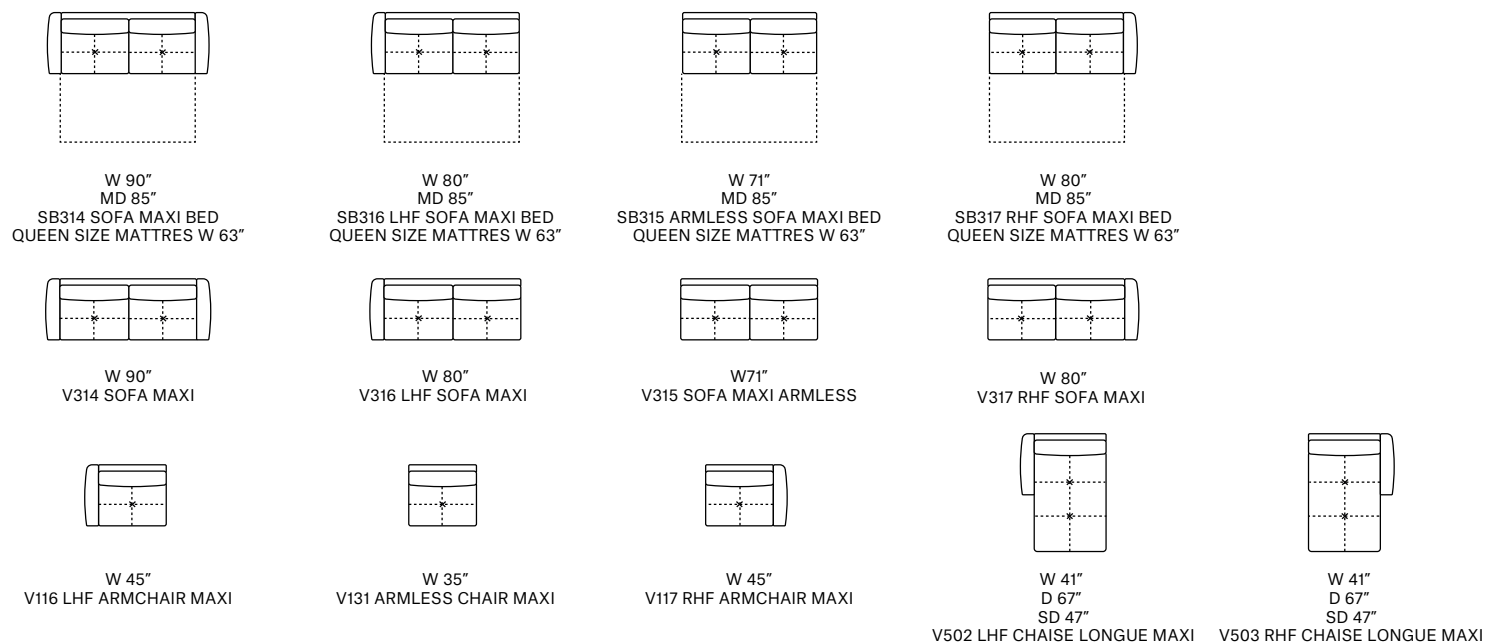
LEATHER COLOR SHADE DIFFERENCES: The model upholstered with some Natural leather such as Maya, Moss, Carees and Sensation, could present in some area differences in color tones of about 5%. Such differences are not to be considered defect but an expression of the natural characteristic of the cowhide. The company reserves the right without prior notice to make technical sheets changes and/or materials for quality product improvement. Leather sofas are a handmade product and according to the leather covering selected there could be a measurement tolerance of about 2 inches (cm 5) on each sku.

REV. 002 DEL 28/10/2020 | Pag. 2 of 2

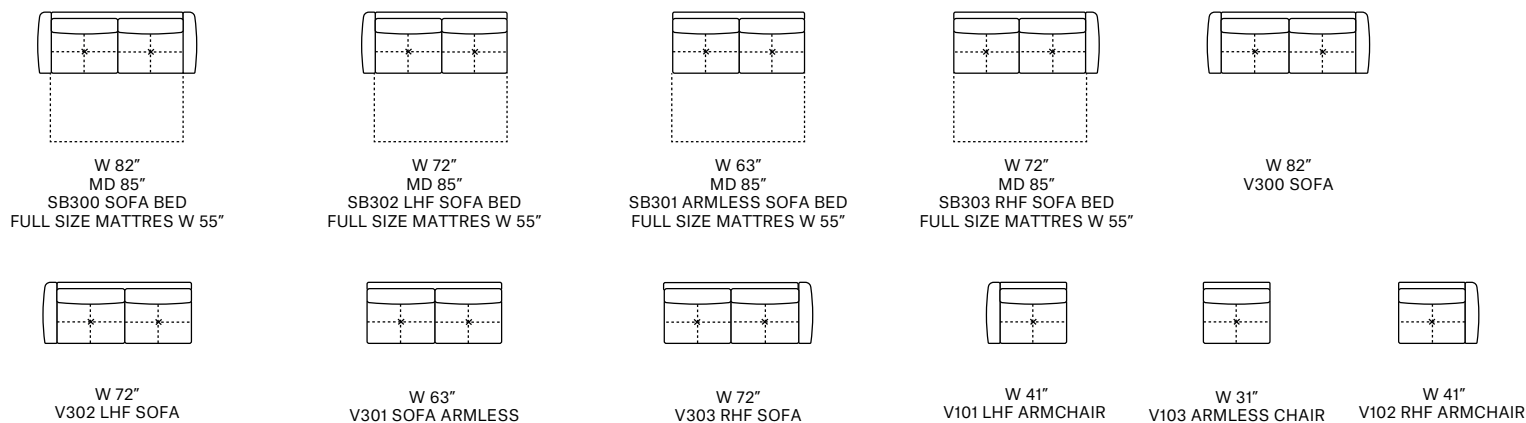


Arms and back are detachable on sofaed version by just pulling up
D 42" H 35" AH 28" SH 19" SD 22" MD 85" HM 22"

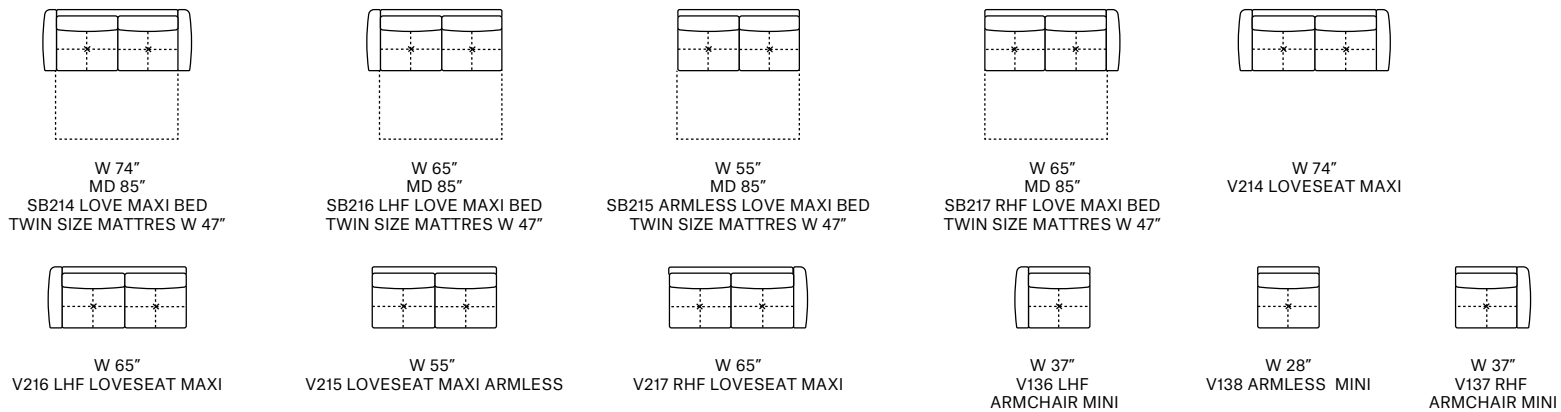
MAXI SEAT (version of the group have the same seat width)



MEDIUM SEAT (version of the group have the same seat width)



SMALL SEAT (version of the group have the same seat width)



JOLLY (can be combined with all the version group)

